



Economy



Economy
Test



Panel Mounted
Economy



Spiral Tube Series

New Sizes!



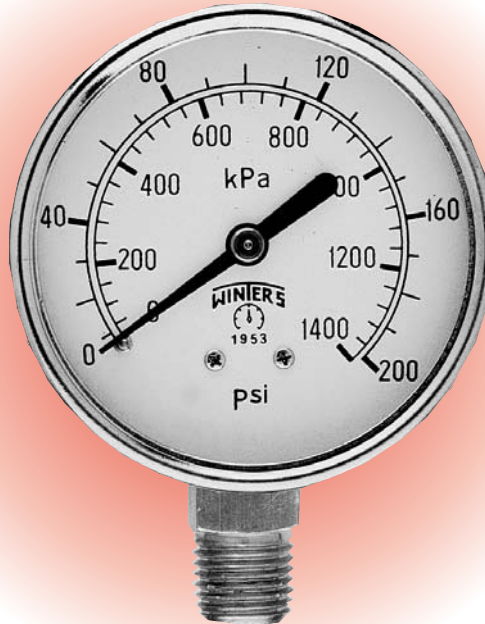
Corporate Office: 121 Railside Road • Toronto • ON • M3A 1B2 • (416) 444-2345 • Fax: (416) 444-8979

U.S.A. Office: 600 Ensminger Road • Buffalo • NY • 14150 • (716) 874-8700 • Fax: (716) 874-8800

www.winters.com • 1-800-WINTERS (946-8377)

Economy

CRN



Description

The Winters Economy Gauge is designed for applications where cost savings are paramount. Many configurations are available to service any application that is not corrosive to brass, from pool filters to medical equipment.

These CRN registered pressure gauges are available in various sizes from 1½" (40mm) to 4" (100mm).

Vacuum and compound ranges, plastic cases, glass lenses, stainless steel cases, chromed rings and sockets, u-clamps and restrictor screws are some of the options available.

Specifications

Dial:	White aluminum with black and red markings
Case:	Steel painted black (plastic avail.)
Lens:	1½" (40mm), 2" (50mm), 2½" (63mm): polycarbonate, 4" (100mm): glass
Ring:	1½" (40mm), 2" (50mm): steel, painted black, 2½" (63mm), and 4" (100mm): steel, chrome plated
Pointer:	Steel, painted black
Socket:	Brass
Connection:	1/8" NPT or 1/4" NPT standard
Bourdon Tube:	Phosphor bronze
Movement:	Brass
Welding:	Silver alloy
Over-pressure Limit:	25% of full scale value
Working Pressure:	Maximum 75% of full scale value
Ambient Temperature:	-40°F to 150°F (-40°C to 65°C)
Process Temperature:	-40°F to 150°F (-40°C to 65°C)
Accuracy:	± 3%-2%-3% accuracy (ANSI/ASME Grade B)
Protection:	IP52



Corporate Office: 121 Railside Road • Toronto • ON • M3A 1B2 • (416) 444-2345 • Fax: (416) 444-8979

U.S.A. Office: 600 Ensminger Road • Buffalo • NY • 14150 • (716) 874-8700 • Fax: (716) 874-8800

www.winters.com • 1-800-WINTERS (946-8377)

Economy

How to order: Specify product code

PRODUCT CODES

Dial Size	1 1/2"(40mm)	1 1/2"(40mm)	2"(50mm)	2"(50mm)	2"(50mm)	2"(50mm)	2"(50mm)	2 1/2"(63mm)	2 1/2"(63mm)	4"(100mm)
Case Material	Steel	Steel	Steel	Steel	Steel	Steel	Steel	Plastic	Steel	Steel
Connection	Bottom	Centre Back	Centre Back	Centre Back	Bottom	Bottom	Bottom	Psi only Bottom	Centre Back	Bottom
NPT Connection Size	1/8"	1/8"	1/8"	1/4"	1/8"	1/4"	1/4"	1/4"	1/4"	1/4"
Movement, Socket, Tube	Brass	Brass	Brass	Brass	Brass	Brass	Brass	Brass	Brass	Brass
30" Hg. Vac./kPa	E1297	E1397	E1424	E1428	E195	E135	E1398	E1431	E210	E220
30"-0-15 psi/kPa	*	*	*	*	*	*	*	*	E152	*
30"-0-30 psi/kPa	*	*	*	*	*	*	*	*	E153	*
30"-0-60 psi/kPa	*	*	*	*	*	*	*	*	E154	*
30"-0-100 psi/kPa	*	*	*	*	*	*	*	*	E155	*
0-15 psi/kPa	E1299	E1399	E1425	E1429	E196	E136	*	E1436	E211	*
0-30 psi/kPa	E1300	E1400	E1402	E1403	E206	E199	E200	E1437	E212	E221
0-60 psi/kPa	E1301	E1401	E1404	E1405	E207	E201	E194	E1438	E213	E222
0-100 psi/kPa	E1320	E1420	E1406	E1407	E208	E202	*	E1439	E214	E223
0-160 psi/kPa	E1321	E1421	E1408	E1409	E197	E203	*	E1440	E215	E224
0-200 psi/kPa	E1322	E1422	E1426	E1410	E209	E204	*	E1441	E216	E225
0-300 psi/kPa	E1323	E1423	E1427	E1411	E198	E205	*	E1442	E217	E226
0-400 psi/kPa	*	*	*	*	*	*	*	*	E219	*
0-600 psi/kPa	*	*	*	*	*	*	*	*	E218	*
0-1000 psi/kPa	*	*	*	*	*	*	*	*	E290	*
0-2000 psi/kPa	*	*	*	*	*	*	*	*	*	*
0-3000 psi/kPa	*	*	*	*	*	*	*	*	E291	*
0-5000 psi/kPa	*	*	*	*	*	*	*	*	E292	*

- Options:**
- Stainless steel case available.
 - Glass lens is optional (standard on 4" (100mm) dial size)
 - 1 1/2" (40mm) & 2" (50mm) bottom connection gauges available with stainless steel internals.
 - Other ranges, connections and connection sizes available.
 - Lead free construction available.



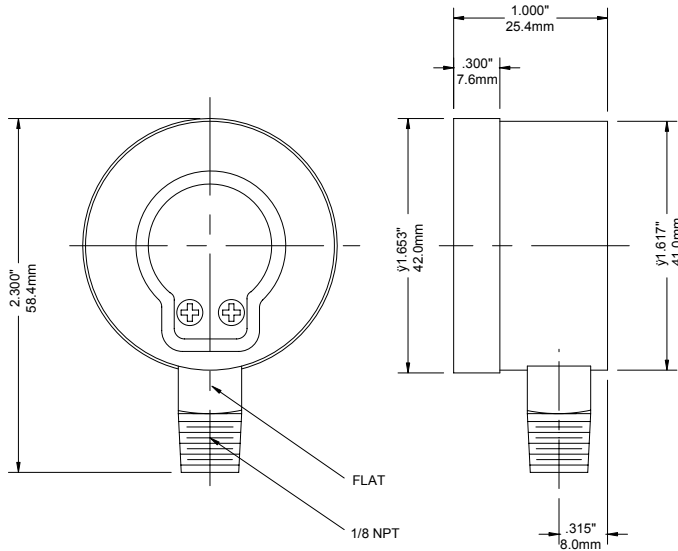
Corporate Office: 121 Railside Road • Toronto • ON • M3A 1B2 • (416) 444-2345 • Fax: (416) 444-8979

U.S.A. Office: 600 Ensminger Road • Buffalo • NY • 14150 • (716) 874-8700 • Fax: (716) 874-8800

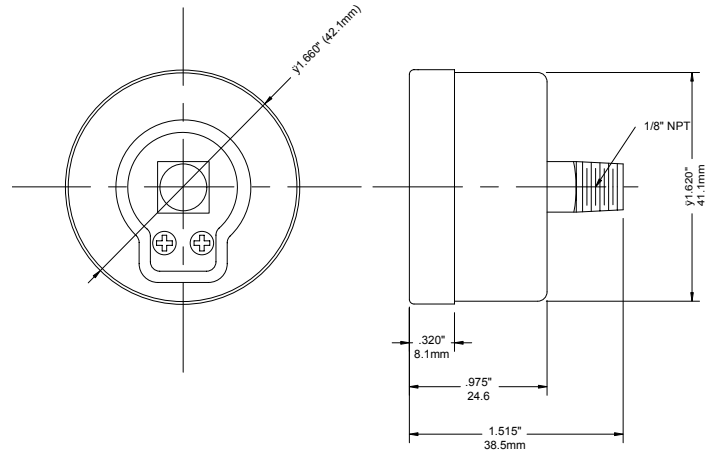
www.winters.com • 1-800-WINTERS (946-8377)

Economy

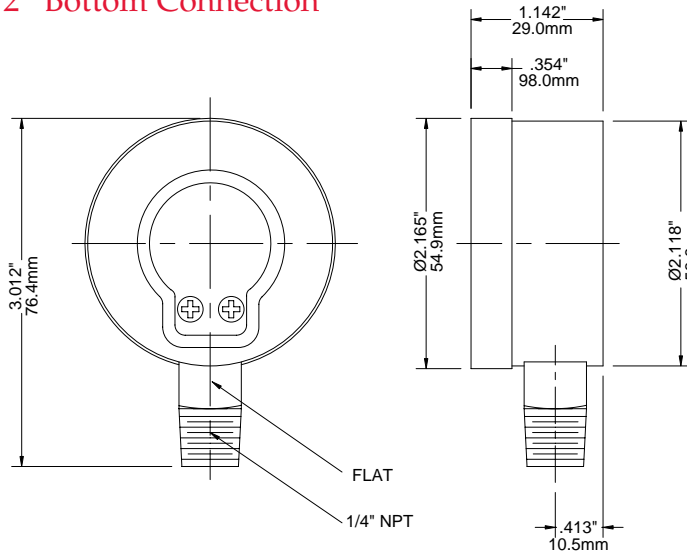
1.5" Bottom Connection



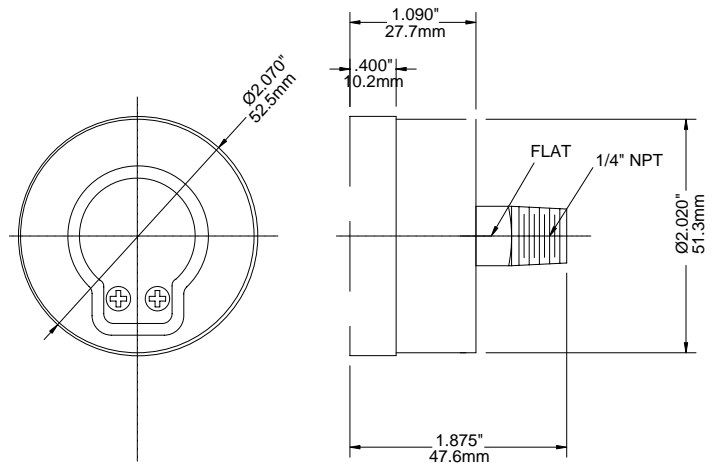
1.5" Back Connection



2" Bottom Connection



2" Back Connection



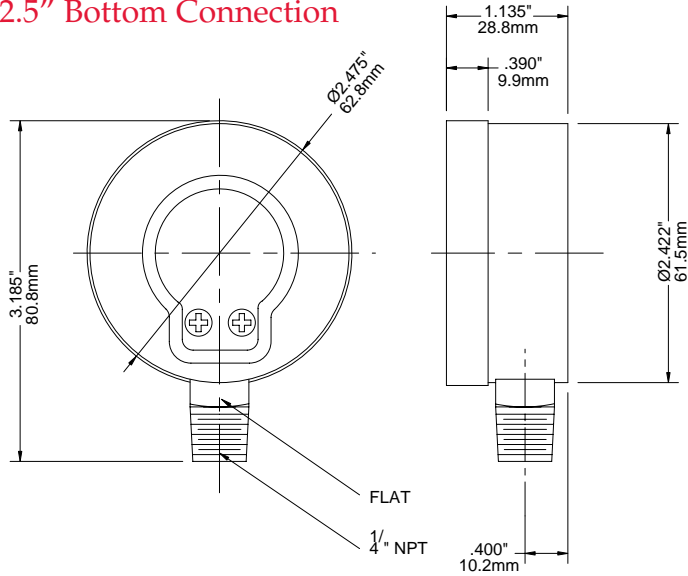
Corporate Office: 121 Railside Road • Toronto, ON, M3A 1B2 • 416-444-2345 • Fax: 416 444 8979

U.S.A. Office: 600 Ensminger Road • Buffalo, NY, 14150 • 716 874 8700 • Fax: 716-874-8800

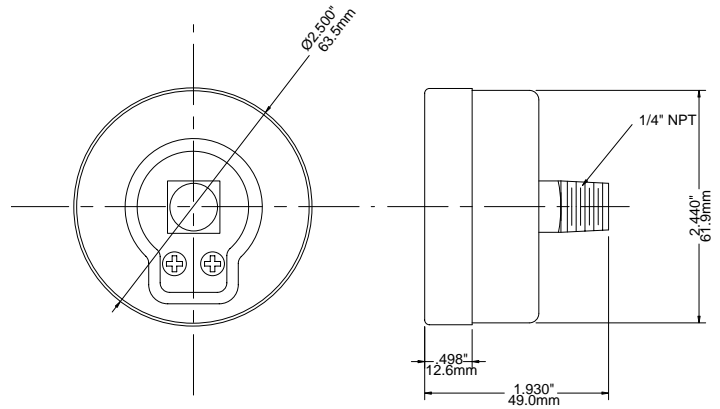
www.winters.com • 1-800-WINTERS (946-8377)

Economy

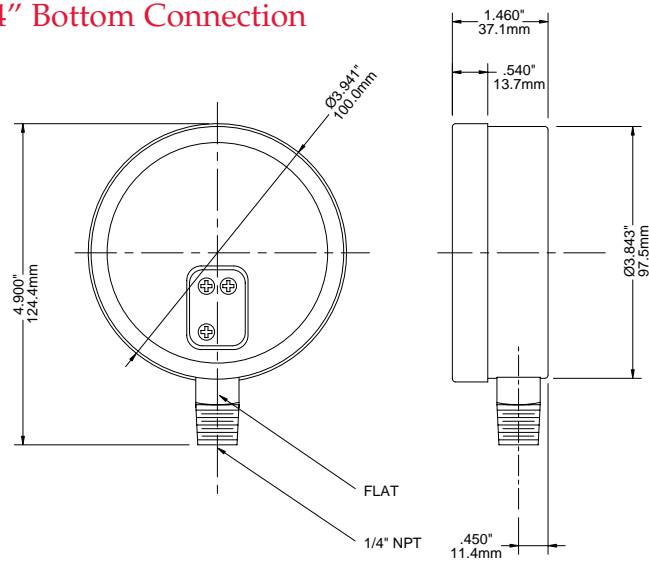
2.5" Bottom Connection



2.5" Back Connection



4" Bottom Connection



Corporate Office: 121 Railside Road • Toronto • ON • M3A 1B2 • (416) 444-2345 • Fax: (416) 444-8979

U.S.A. Office: 600 Ensminger Road • Buffalo • NY • 14150 • (716) 874-8700 • Fax: (716) 874-8800

www.winters.com • 1-800-WINTERS (946-8377)

Economy Test



Gas Test Gauge



Water Test Gauge

CRN

Description

Winters Economy Test Gauge is an economical solution for accurate testing of gas, water, air and other pressure media. The gauges are available in 2" (50 mm) and 2½" (63 mm) dials. The Economy Test Gauge is constructed with a steel case and brass internals. Its accuracy rating is ± 3%-2%-3%, ANSI/ASME Grade B. The maxi pointer included on the Water Test Gauge allows you to monitor a peak operating or surge pressure point.

The Winters Economy Test Gauge is CRN registered.

*Pressure rating for Gas Test Gauge is 200 psi normal working pressure, 350 psi max. pressure.

Specifications

Dial:	2" (50 mm) and 2½" (63 mm) white aluminum with black and red markings
Case:	Steel painted black
Lens:	Polycarbonate
Ring:	Steel, painted black
Pointer:	Steel, painted black
Connection:	Adapts to
Gas Test Gauge:	¾" MPT*
Water Test Gauge:	¾" FHT x female npt swivel connection
Maximum Pointer:	¾" female hose
Bourdon Tube:	Phosphor bronze
Movement:	Brass
Welding:	#50 Sn. solder
Working Pressure:	Maximum 75% of full scale value
Ambient / Process Temperature:	-40°F to 150 °F (-40°C to 65°C)
Gas Test:	40°F to 150 °F (-40°C to 65°C)
Water Test:	32°F to 150 °F (0°C to 65°C)
Accuracy:	± 3% -2%-3% accuracy (ANSI/ASME) Grade B
Protection:	IP52



Corporate Office: 121 Railside Road • Toronto • ON • M3A 1B2 • (416) 444-2345 • Fax: (416) 444-8979

U.S.A. Office: 600 Ensminger Road • Buffalo • NY • 14150 • (716) 874-8700 • Fax: (716) 874-8800

www.winters.com • 1-800-WINTERS (946-8377)

Economy Test

How to order: Specify product code

PRODUCT CODES	Gas Test	Water Test
Dial Size	2" (50mm)	2" (50mm) or 2 1/2" (63mm)
Case Material	Steel	Steel
Connection Size	Adapts to 3/4" MPT	3/4" FHT X female NPT Swivel Connection
Movement, Socket, Tube	Brass	Brass
PRODUCT CODES		
0-15 psi/kpa	EGT201	
0-30 psi/kpa	EGT202	
0-60 psi/kpa	EGT203	
0-100 psi/kpa	EGT204	
0-160 psi/kpa		EWT213
0-300 psi/kpa		EWT217

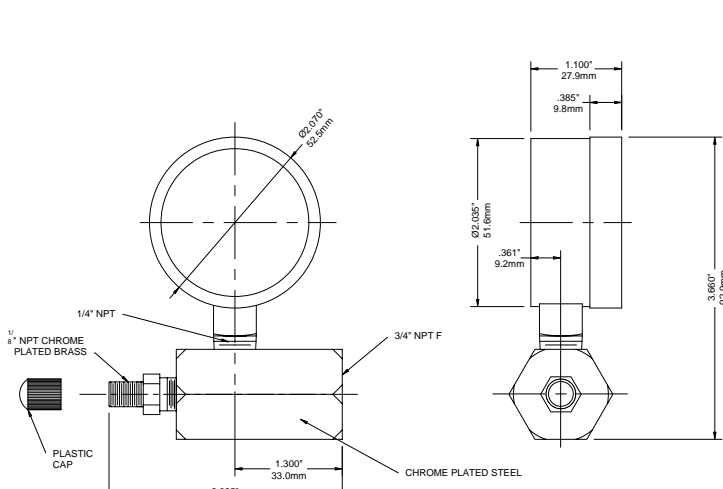
Maximum Pointer Water Test Gauge

Dial size 2 1/2"
 Case Material Steel
 Connection size 3/4" female hose
 Movement, socket, tube Brass

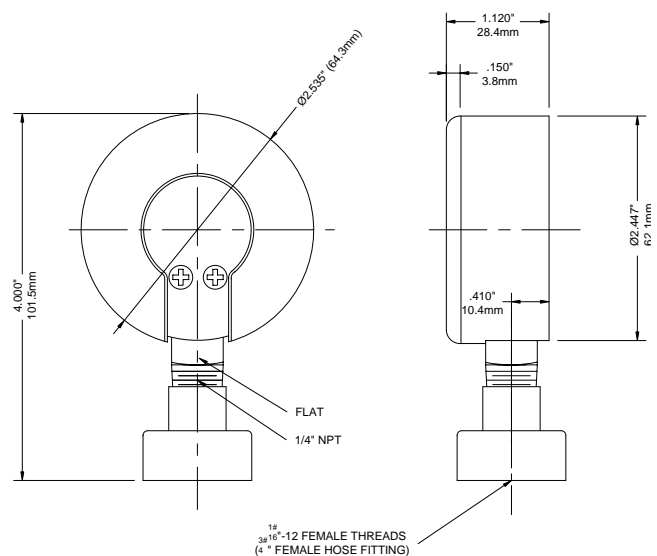
PRODUCT CODES

0-160 psi/kpa ETM213
 0-300 psi/kpa ETM217

2" Gas Test Gauge



2.5" Water Test Gauge



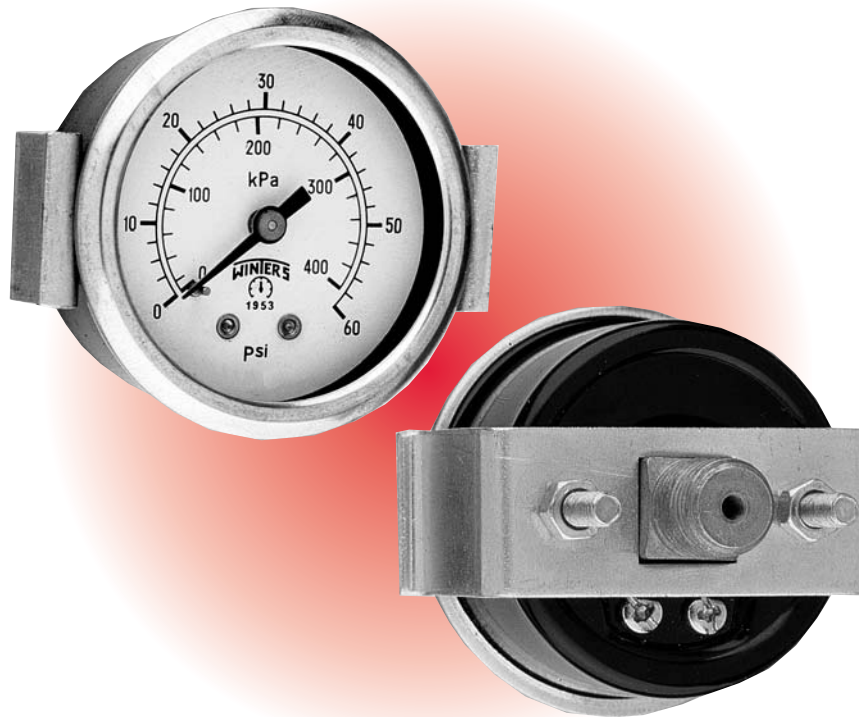
Corporate Office: 121 Railside Road • Toronto • ON • M3A 1B2 • (416) 444-2345 • Fax: (416) 444-8979

U.S.A. Office: 600 Ensminger Road • Buffalo • NY • 14150 • (716) 874-8700 • Fax: (716) 874-8800

www.winters.com • 1-800-WINTERS (946-8377)

Panel Mounted Economy

CRN



Description

Winters' Panel Mounted Economy Gauges are designed for use in applications where an inexpensive u-clamp gauge is required. Applications include the measurement of air, oil, water and other pressure media which have no effect on brass.

The instrument is secured to the panel by tightening an u-clamp to the back of the panel. Tightening the u-clamp pulls the face of the pressure gauge to the panel.

This panel mounted pressure instrument is available in various dial sizes and an accuracy of 3-2-3%. The Panel Mounted Economy Series is CRN registered.

Specifications

Dial:	1 1/2" (40mm) , 2" (50mm), 2 1/2" (63mm) white aluminum with black and red markings
Case:	Steel, painted black
Lens:	1 1/2" (40mm), 2" (50mm), 2 1/2" (63mm) plastic
Ring:	1 1/2" (40mm), 2" (50mm) and 2 1/2" (63mm) stainless steel
Pointer:	Steel, painted black
Socket:	Brass
Movement:	Brass
Connection:	1/8" NPT or 1/4" NPT standard
Bourdon Tube:	Phosphor bronze
Movement:	Brass
Welding:	Silver alloy
Over-pressure Limit:	25% of full scale value
Working Pressure:	Maximum 75% of full scale value
Ambient Temperature:	-40°F to 150°F (-40°C to 65°C)
Process Temperature:	-40°F to 150°F (-40°F to 65°C)
Accuracy:	± 3%-2%-3% (ANSI/ASME Grade B)
Protection:	IP52



Corporate Office: 121 Railside Road • Toronto • ON • M3A 1B2 • (416) 444-2345 • Fax: (416) 444-8979

U.S.A. Office: 600 Ensminger Road • Buffalo • NY • 14150 • (716) 874-8700 • Fax: (716) 874-8800

www.winters.com • 1-800-WINTERS (946-8377)

Panel Mounted Economy

How to order: Specify product code

PRODUCT CODES

Dial Size	1 1/2" (40mm)	2" (50mm)	2" (50mm)	2 1/2" (63mm)
NPT Size	1/8"	1/8"	1/4"	1/4"
30" Hg. Vac./kPa	E1399UC	E1396UC	E1428UC	E1431UC
0-15 psi/kPa	E1398UC	E1397UC	E1429UC	E1436UC
0-30 psi/kPa	E1400UC	E1402UC	E1403UC	E1437UC
0-60 psi/kPa	E1401UC	E1404UC	E1405UC	E1438UC
0-100 psi/kPa	E1420UC	E1406UC	E1407UC	E1439UC
0-160 psi/kPa	E1421UC	E1408UC	E1409UC	E1440UC
0-200 psi/kPa	E1422UC	E1412UC	E1410UC	E1441UC
0-300 psi/kPa	E1423UC	E1413UC	E1411UC	E1442UC
Panel cut-out	1.625" (41.275mm)	2.12" (53.848mm)	2.12" (53.848mm)	2.44" (61.976mm)
Overall O.D.	1.84" (46.73mm)	2.29" (58.166mm)	2.29" (58.166mm)	2.65" (67.31mm)

Other ranges and connection sizes available upon request.



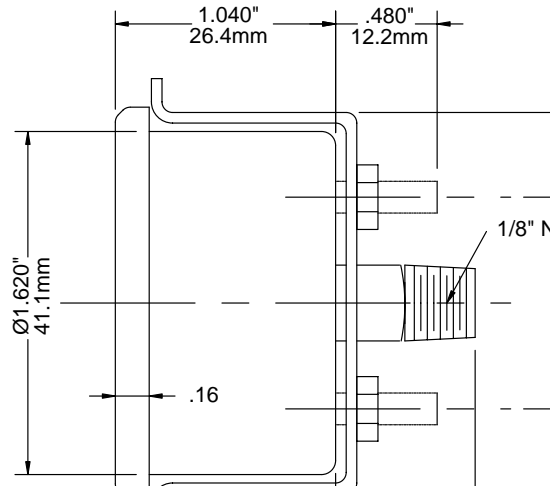
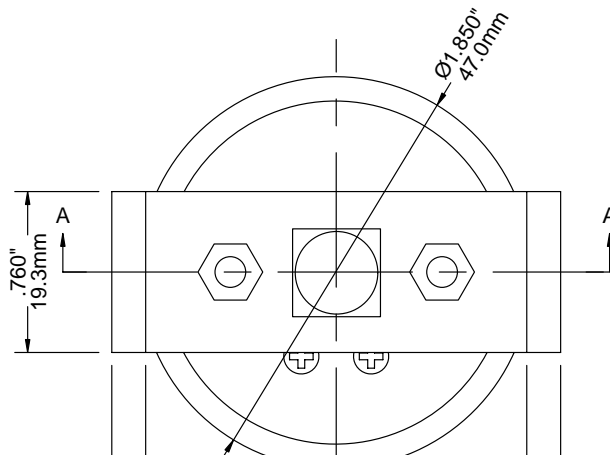
Corporate Office: 121 Railside Road • Toronto • ON • M3A 1B2 • (416) 444-2345 • Fax: (416) 444-8979

U.S.A. Office: 600 Ensminger Road • Buffalo • NY • 14150 • (716) 874-8700 • Fax: (716) 874-8800

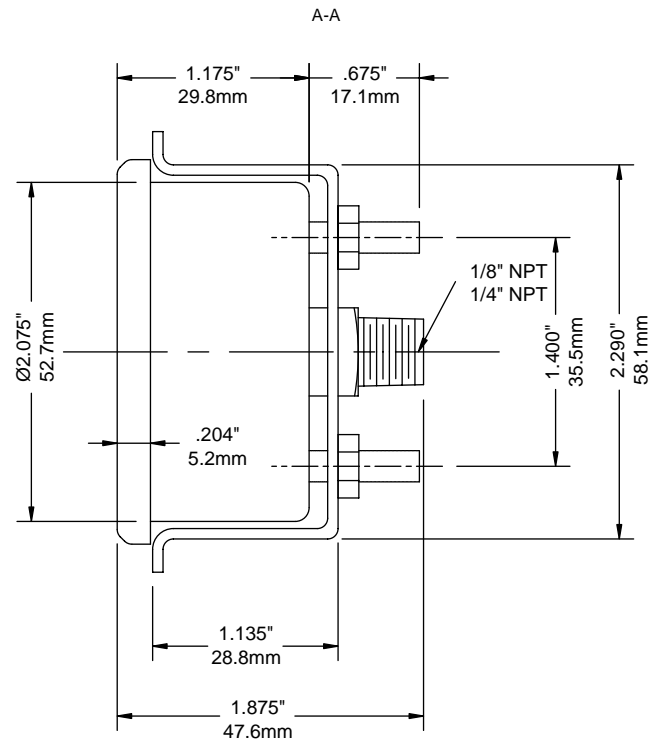
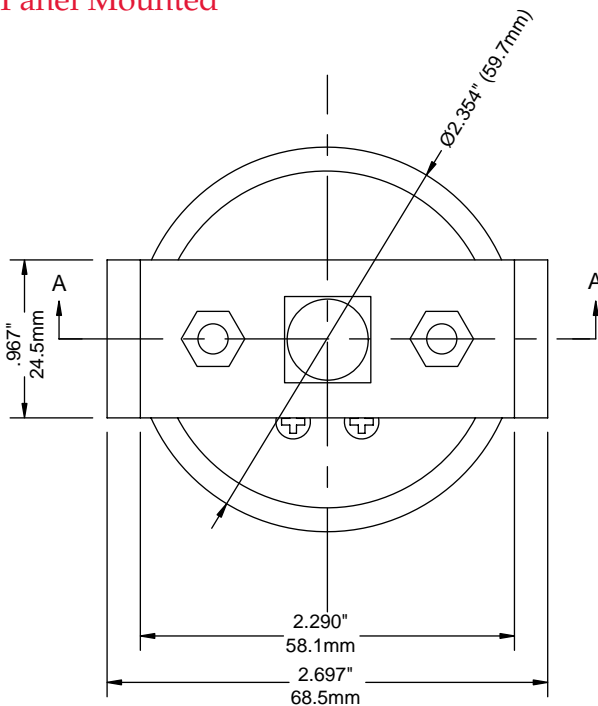
www.winters.com • 1-800-WINTERS (946-8377)

Panel Mounted Economy

1.5" Panel Mounted



2" Panel Mounted



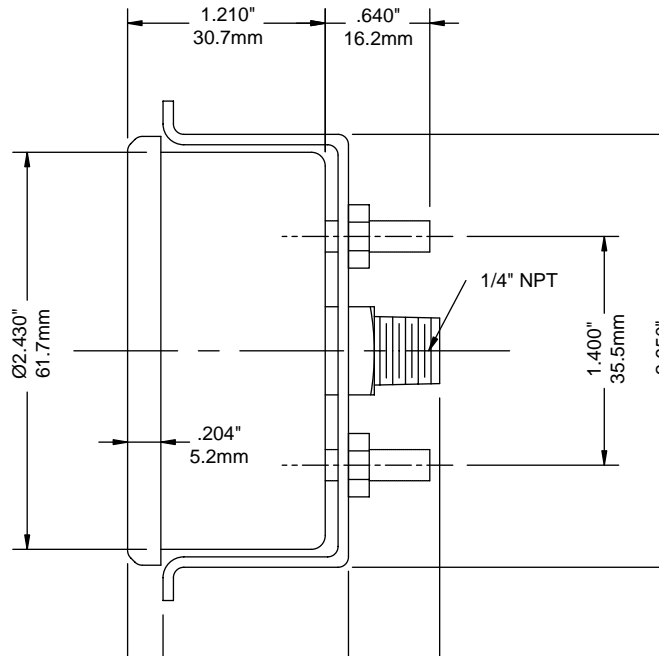
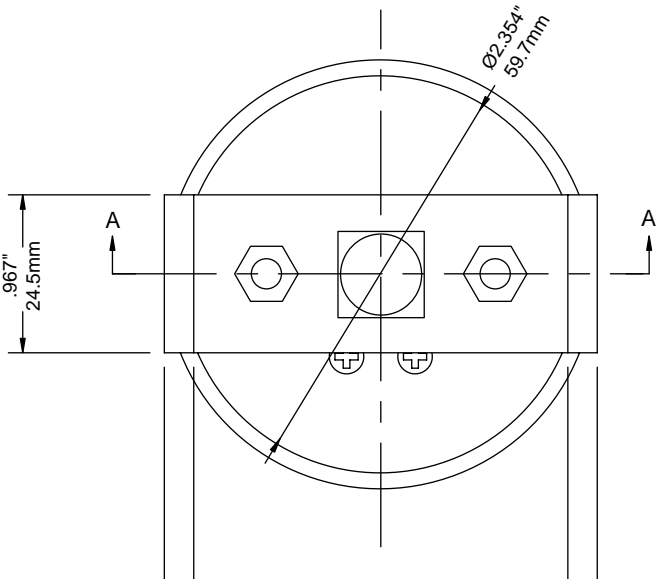
Corporate Office: 121 Railside Road • Toronto, ON, M3A 1B2 • 416-444-2345 • Fax: 416 444 8979

U.S.A. Office: 600 Ensminger Road • Buffalo, NY, 14150 • 716 874 8700 • Fax: 716-874-8800

www.winters.com • 1-800-WINTERS (946-8377)

Panel Mounted Economy

2.5" Panel Mounted



Corporate Office: 121 Railside Road • Toronto • ON • M3A 1B2 • (416) 444-2345 • Fax: (416) 444-8979

U.S.A. Office: 600 Ensminger Road • Buffalo • NY • 14150 • (716) 874-8700 • Fax: (716) 874-8800

www.winters.com • 1-800-WINTERS (946-8377)

12/02

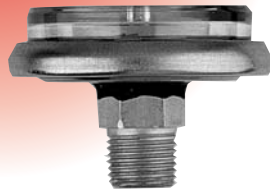
Spiral Tube Pressure Gauge



CRN



0 up to 3000 psi



How to order: Specify product code

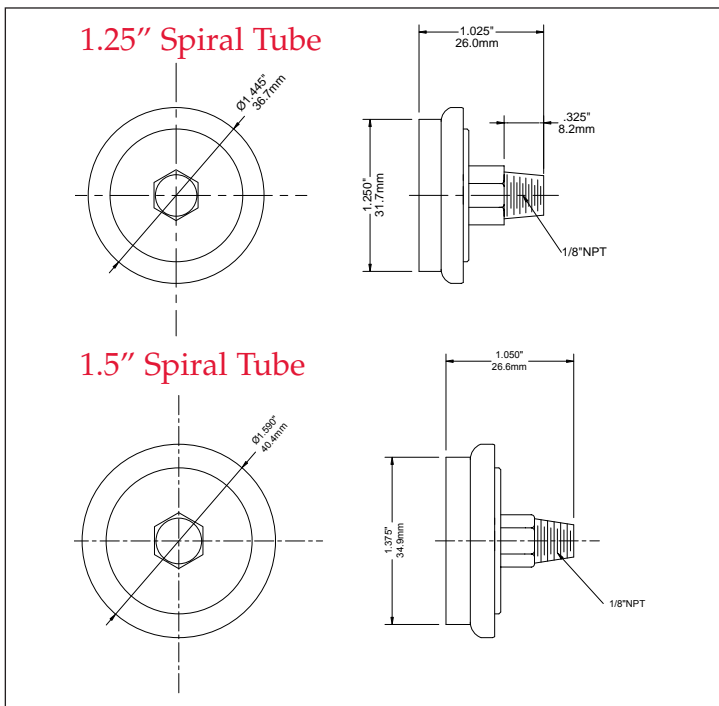
DIAL SIZE	1 1/4" (32mm)	1 1/2" (40mm)
0/60 psi	SP125060	SP150060
0/100 psi	SP1250100	SP1500100
0/160 psi	SP1250160	SP1500160
0/200 psi	SP1250200	SP1500200
0/300 psi	SP1250300	SP1500300
0/600 psi	SP1250600	SP1500600
0/1000 psi	SP12501000	SP15001000
0/1500 psi	SP12501500	SP15001500
0/2000 psi	SP12502000	SP15002000
0/3000 psi	SP12503000	SP15003000
0/4000 psi	SP12504000	SP15004000
0/5000 psi	SP12505000	SP15005000

* Other ranges available upon request.

Description

Winters' Spiral Tube Series Pressure Gauges are designed for use in any application that requires an economical, water and dust proof compact pressure gauge. Winters' Spiral Tube Series Pressure Gauges transmit the pressure directly to the pointer eliminating premature failure from gear and movement wear due to excessive vibration or pulsation. Typical applications include: fire extinguishers, compressors, pumps, pneumatic equipment, etc.

The Winters Spiral Tube gauge is UL listed for ranges up to 3000 psi and is CRN registered for all ranges.



Specifications	
Dial:	1 1/4" (32mm) or 1 1/2" (40mm), white aluminum dial with black markings. Colour zones available
Case:	AISI 304 stainless steel
Lens:	Plexiglass, watertight
Pointer:	Brass for ranges 3000 psi and below; AISI 304 stainless steel for ranges 4000 psi and above
Spiral / Socket:	Brass for range less than 3000 psi Beryllium copper for range 0-3000 psi; AISI 304 stainless steel for ranges 4000 psi and above
Connection:	1/8" NPT or 1/4" NPT standard, back
Over-pressure Limit:	10% of full scale value
Working Pressure:	Maximum 75% of full scale value
Ambient Temp:	-40°F to 150°F (-40°C to 65°C)
Process Temp:	-40°F to 150°F (-40°C to 65°C)
Accuracy:	± 3%-2%-3% (ANSI/ASME Grade B)
Protection:	IP64

UL Listing Numbers

UL Listing No. MH25761 up to 1000 psi
UL Listing No. SA12053 for 0-3000 psi



Corporate Office: 121 Railside Road • Toronto • ON • M3A 1B2 • (416) 444-2345 • Fax: (416) 444-8979

U.S.A. Office: 600 Ensminger Road • Buffalo • NY • 14150 • (716) 874-8700 • Fax: (716) 874-8800

www.winters.com • 1-800-WINTERS (946-8377)