



#10 PVC  
Diaphragm Seal



#15  
Diaphragm Seal



#20  
Diaphragm Seal



#30  
Diaphragm Seal



#40  
Diaphragm Seal



#50  
Diaphragm Seal



#70  
Diaphragm Seal



#70 NACE  
Diaphragm Seal  
MR0175-2003



#70 NACE  
Diaphragm Seal  
MR0103-2003



#80  
Diaphragm Seal



Isolation Ring



Corporate Office: 121 Railside Road • Toronto • ON • M3A 1B2 • (416) 444-2345 • Fax: (416) 444-8979

U.S.A. Office: 600 Ensminger Road • Buffalo • NY • 14150 • (716) 874-8700 • Fax: (716) 874-8800

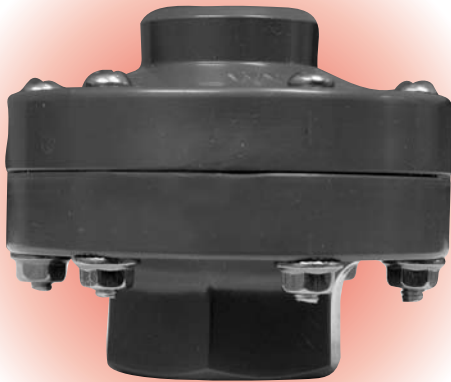
[www.winters.com](http://www.winters.com) • 1-800-WINTERS (946-8377)

# #10 PVC Diaphragm Seal

(30" Vac - 200 psi/kPa)

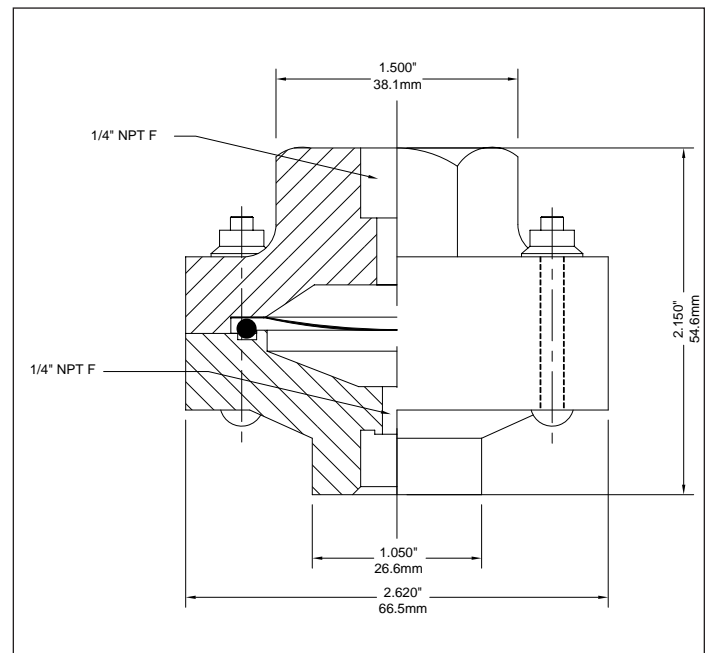
## Description

Winters #10 PVC (Polyvinyl Chloride) Diaphragm Seal features a durable and flexible Teflon® diaphragm seal, which serves as a protective barrier between the process fluid and the instrument. This PVC Seal provides an economical solution to protect instruments from corrosion and clogging, while maintaining high accuracy and dependability, within an operating range of full vacuum to 200 psi/kPa. Each Winters #10 PVC diaphragm seal is used to isolate and protect a pressure or vacuum instrument used on ultra-pure or highly corrosive fluid lines. The Winters #10 PVC Diaphragm Seal can be used with liquids such as demineralized water, sulphuric acid, hydrochloric acid and caustic or with gases (such as corrosive air and ammonia) when such fluids will corrode metal instruments.



## Specifications

<b>Housing:</b>	PVC (Polyvinyl Chloride, Type 1, Grade 1)
<b>Diaphragm:</b>	Teflon®
<b>Minimum Operating Pressure:</b>	30" Hg Vacuum/(-100kPa)
<b>Maximum Operating Pressure:</b>	200 psi/(1380 kPa)
<b>Gauge Connection:</b>	1/4" NPTF
<b>Process Connection:</b>	1/4" NPTF and 1/2" NPTF are standard
<b>Process Temperature:</b>	Recommended for media temperature 77°F to 104°F (25°C to 40°C)



How to Order: Specify Product Code

### PRODUCT CODES

1/4" NPTF x 1/4" NPTF	D985
1/4" NPTF x 1/2" NPTF	D986



Corporate Office: 121 Railside Road • Toronto • ON • M3A 1B2 • (416) 444-2345 • Fax: (416) 444-8979

U.S.A. Office: 600 Ensminger Road • Buffalo • NY • 14150 • (716) 874-8700 • Fax: (716) 874-8800

[www.winters.com](http://www.winters.com) • 1-800-WINTERS (946-8377)

# #15 In Line Diaphragm Seal



CRN

## Description

Winters In Line Diaphragm Seal is constructed with a welded diaphragm placed at the end of the male NPT connection, eliminating the normal diaphragm chamber where solidification of the process media may render the seal inoperable. Winters In Line Diaphragm Seal is suitable for any process where freezing or solidification of the pressure media is a concern. Constructed entirely of AISI 316 stainless steel, the Winters In Line Diaphragm Seal is rugged and suitable for the most severe process applications.

(Canadian Registration Number applies only to standard pressure diaphragm seal - D991)

## PRODUCT CODES

1/4" NPTF x 3/4" NPTM	D991	Standard Pressure*
1/4" NPTF x 3/4" NPTM	D992	Low Pressure**

\*Standard Pressure: 600 psi to 5800 psi (4100 kpa to 40,000 kpa)

\*\*Low Pressure: 50 psi to 2000 psi (345 kpa to 13,780kpa)

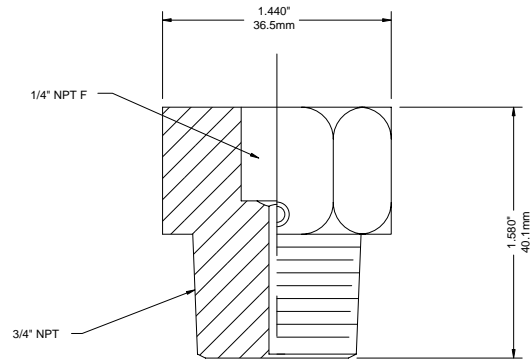
## Standard Specifications

Housing:	AISI 316 stainless steel
Diaphragm:	AISI 316L stainless steel, welded
Minimum Operating Pressure:	600 psi (4100 kPa)
Maximum Operating Pressure:	5800 psi (40,000 kPa)
Gauge Connection:	1/4" NPT female standard
Process Connection:	3/4" NPT male standard
Process Temperature:	-49°F to 302°F (-45°C to 150°C)

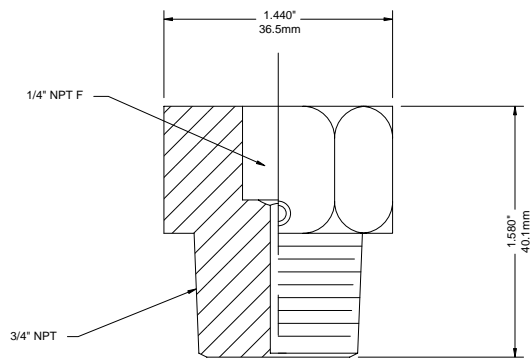
## Low Pressure Specifications

Housing:	AISI 316 stainless steel
Diaphragm:	AISI 316L stainless steel, welded
Minimum Operating Pressure:	50 psi (345 kPa)
Maximum Operating Pressure:	2000 psi (13,780 kPa)
Gauge Connection:	1/4" NPT female standard
Process Connection:	3/4" NPT male standard
Process Temperature:	-20°F to 185°F (-31°C to 360°C)

## Standard Pressure -D991



## Low Pressure - D992



Corporate Office: 121 Railside Road • Toronto • ON • M3A 1B2 • (416) 444-2345 • Fax: (416) 444-8979

U.S.A. Office: 600 Ensminger Road • Buffalo • NY • 14150 • (716) 874-8700 • Fax: (716) 874-8800

[www.winters.com](http://www.winters.com) • 1-800-WINTERS (946-8377)

12/02

# #20 Diaphragm Seal

30 to 1000 psi (200 to 6,900 kPa)

## Description

The Winters #20 Sanitary Seal meets the requirements of dairy, food, beverage, chemical and pharmaceutical industries. When Winters #20 Sanitary Seal is attached to a Winters all stainless steel construction pressure gauge, the unit becomes completely sanitary, making it impossible for bacteria to form and contaminate the process product. This unit is 3A designated for all sanitary applications (see Sanitary Gauges 3A specification sheet in Premium section).

The Winters Sanitary Seal is 3A approved and CRN registered.

CRN

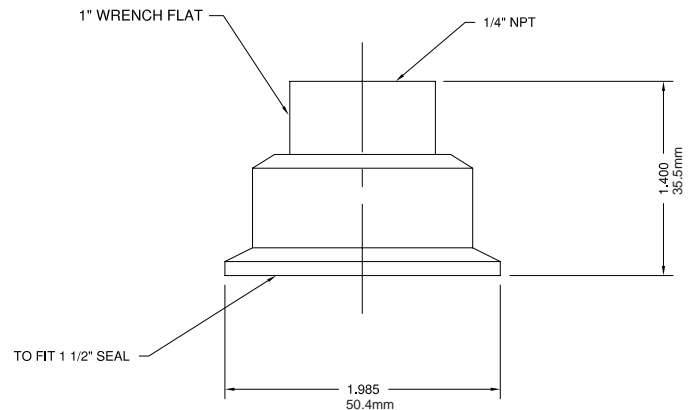


## Specifications

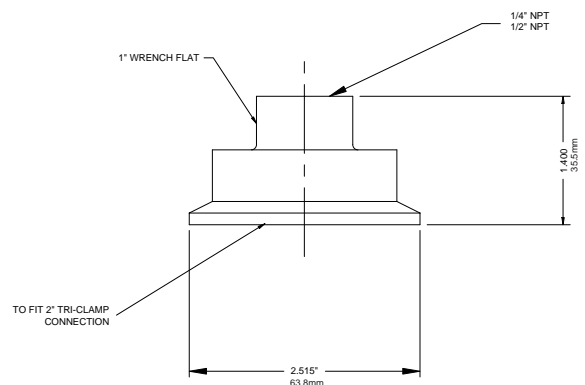
<b>Housing:</b>	AISI 316 stainless steel
<b>Diaphragm:</b>	AISI 316L stainless steel, welded
<b>Minimum Operating Pressure:</b>	30 psi (200 kPa)
<b>Maximum Operating Pressure:</b>	1000 psi (6,900 kPa)
<b>Gauge Connection:</b>	1/4" NPT female standard, 1/2" NPT female available
<b>Process Connection:</b>	1 1/2" (40mm) and 2" (50mm) Tri-clamp® fitting standard
<b>Process Temperature:</b>	-4°F to 248°F (-20°C to 120°C)

® Tri-clamp is a registered trademark of Tri-Clover.

### 1 1/2" Tri-clamp®



### 2" Tri-clamp®



## #20 PRODUCT CODES

1 1/2" (40mm)	D980
2" (50mm)	D976



Corporate Office: 121 Railside Road • Toronto • ON • M3A 1B2 • (416) 444-2345 • Fax: (416) 444-8979

U.S.A. Office: 600 Ensminger Road • Buffalo • NY • 14150 • (716) 874-8700 • Fax: (716) 874-8800

[www.winters.com](http://www.winters.com) • 1-800-WINTERS (946-8377)

# #30 Diaphragm Seal

1,000 to 6,000 psi (6,900 to 41,300 kPa)



CRN

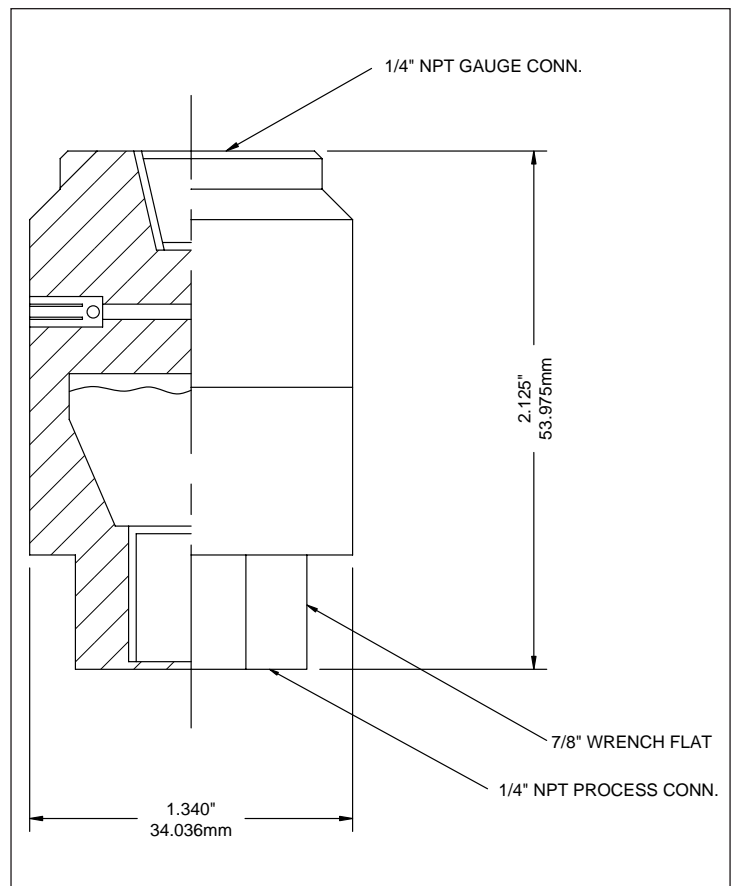
## Description

Winters compact, lightweight and economical #30 Diaphragm Seal is constructed of AISI 316 stainless steel and is welded together into a one piece unit. The diaphragm offers protection for pressure instruments (gauges and transmitters) from corrosive, contaminated or viscous media.

This CRN registered Diaphragm Seal is ideally suited to applications where space limitations exist.

## Specifications

Housing:	AISI 316 stainless steel
Diaphragm:	AISI 316L stainless steel, welded
Minimum Operating Pressure:	1000 psi (6,900 kPa)
Maximum Operating Pressure:	6000 psi (41,300 kPa)
Gauge Connection:	1/4" NPT female standard
Process Connection:	1/4" NPT female
Process Temperature:	-49°F to 302°F (-45°C to 150°C)



## #30 PRODUCT CODES

1/4" NPT x 1/4" NPT	D975
---------------------	------



Corporate Office: 121 Railside Road • Toronto • ON • M3A 1B2 • (416) 444-2345 • Fax: (416) 444-8979

U.S.A. Office: 600 Ensminger Road • Buffalo • NY • 14150 • (716) 874-8700 • Fax: (716) 874-8800

[www.winters.com](http://www.winters.com) • 1-800-WINTERS (946-8377)

12/02

# #40 Diaphragm Seal

0 to 1000 psi (0 to 6,900 kPa)

## Description

Winters Instruments compact (one piece), light-weight and economical #40 Diaphragm Seal is designed to operate between 0 and 1000 psi (6,900 kPa). It is primarily utilized to protect gauges and transmitters from corrosive media.

The #40 Diaphragm Seal is ideally suited to applications where space limitations exist. It is also, utilized in many OEM applications.

This compact diaphragm seal is CRN registered.



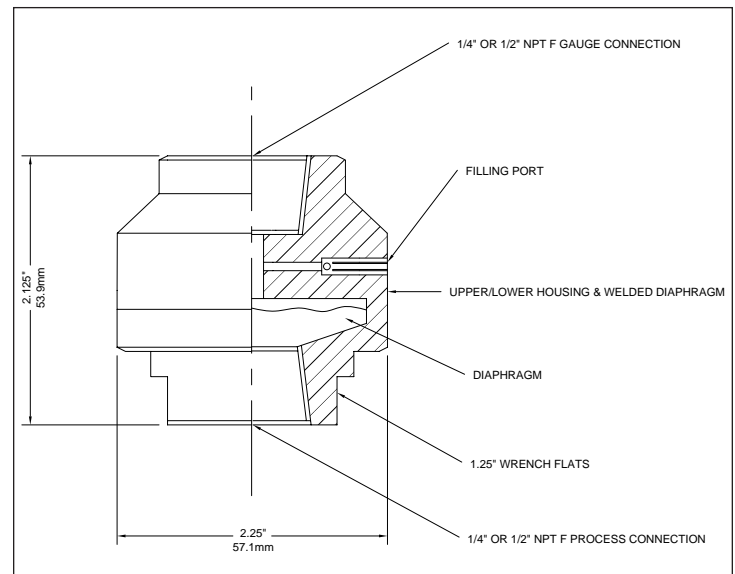
CRN

## #40 PRODUCT CODES

1/4" NPT x 1/4" NPT	D973
1/4" NPT x 1/2" NPT	D972
1/2" NPT x 1/2" NPT	D974

## Specifications

<b>Housing:</b>	AISI 316 stainless steel
<b>Diaphragm:</b>	AISI 316L stainless steel, welded
<b>Minimum Operating Pressure:</b>	0 psi
<b>Maximum Operating Pressure:</b>	1000 psi (6,900 kPa)
<b>Gauge Connection:</b>	1/4" NPT female and 1/2" NPT female are standard
<b>Process Connection:</b>	1/4" NPT female and 1/2" NPT female are standard
<b>Process Temperature:</b>	-49°F to 302°F (-45°C to 150°C)



# 40 Diaphragm Seal attached to a Liquid Filled Premium Gauge with a Custom Dial - Kg/cm<sup>2</sup>



Corporate Office: 121 Railside Road • Toronto • ON • M3A 1B2 • (416) 444-2345 • Fax: (416) 444-8979

U.S.A. Office: 600 Ensminger Road • Buffalo • NY • 14150 • (716) 874-8700 • Fax: (716) 874-8800

[www.winters.com](http://www.winters.com) • 1-800-WINTERS (946-8377)



# #50 Diaphragm Seal

100 to 1000 psi (690 to 6,900 kPa)



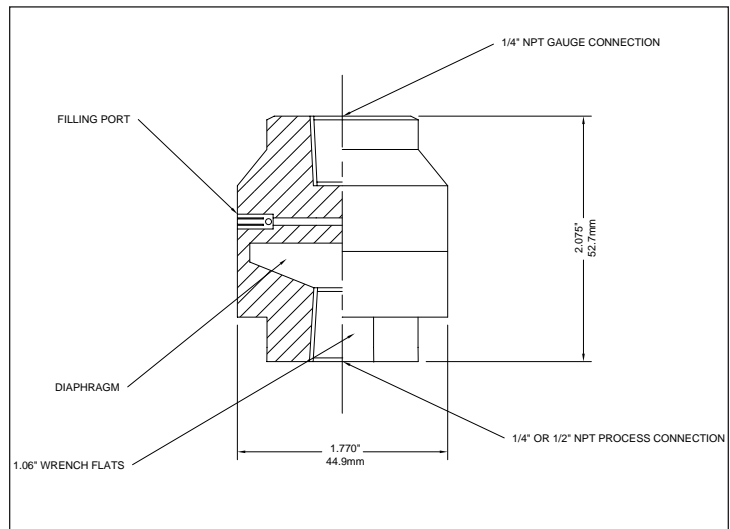
## Description

Winters compact, lightweight and economical #50 Diaphragm Seal is designed to operate between 100 psi (690 kPa) and 1000 psi (6,900 kPa). The diaphragm seal is constructed of AISI 316 stainless steel and is welded together into a one piece unit. This CRN registered #50 Diaphragm Seal is ideally suited to applications where space limitations exist.

CRN

## Specifications

<b>Housing:</b>	AISI 316 stainless steel
<b>Diaphragm:</b>	AISI 316L stainless steel
<b>Minimum Operating Pressure:</b>	100 psi (690 kPa)
<b>Maximum Operating Pressure:</b>	1000 psi (6,900 kPa)
<b>Gauge Connection:</b>	1/4" NPT female
<b>Process Connection:</b>	1/4" NPT female/male, and 1/2" NPT female are standard
<b>Process Temperature:</b>	-49°F to 302°F (-45°C to 150°C)



## #50 PRODUCT CODES

1/4" NPTF x 1/4" NPTF	D970
1/4" NPTF x 1/4" NPTM	D971
1/4" NPTF x 1/2" NPTF	D990



Corporate Office: 121 Railside Road • Toronto • ON • M3A 1B2 • (416) 444-2345 • Fax: (416) 444-8979

U.S.A. Office: 600 Ensminger Road • Buffalo • NY • 14150 • (716) 874-8700 • Fax: (716) 874-8800

[www.winters.com](http://www.winters.com) • 1-800-WINTERS (946-8377)

12/02

# #70 Diaphragm Seal

30" Vac to 2,500 psi (-100 to 17,250 kPa)



CRN

## Description

Winters rugged #70 Diaphragm Seal is a two piece construction and designed to withstand even the most severe process applications. The diaphragm is separable for servicing and is available with a 1/8" NPT or 1/4" NPT flushing connection for removing any material, which may clog the process connection. The diaphragm is constructed of AISI 316L stainless steel and is welded to the upper chamber of the seal for pressures 30 psi (200 kPa) and above; Viton for ranges from 30" Hg Vacuum (-100 kPa) up to 100 psi (690 kPa). Viton is highly recommended for applications less than 10 psi. The Winters #70 Diaphragm Seal is CRN registered.

## Specifications (St/St Diaphragm)

<b>Upper Housing:</b>	AISI 316 stainless steel
<b>Diaphragm/ Wetted Parts:</b>	AISI 316L stainless steel, welded for ranges 30 psi (200kPa) and above; Viton for ranges from 30" Hg Vacuum (-100 kPa) up to 100 psi (690 kPa)
<b>Minimum Operating Pressure:</b>	30" Hg Vacuum (-100kPa)
<b>Maximum Operating Pressure:</b>	2,500 psi (17,250 kPa)
<b>Gauge Connection:</b>	1/4" NPT, 1/2" NPT are standard
<b>Process Connection:</b>	1/4" NPT, 1/2" NPT, 3/4" NPT and 1" NPT are standard
<b>Flushing Connection:</b>	1/8" NPT, 1/4" NPT available (optional on all #70 seals)
<b>Nuts and Bolts:</b>	AISI 316 stainless steel are standard
<b>Process Temperature:</b>	-49°F to 302°F (-45°C to 150°C)



**Process Gauge  
Attached to a  
#70 Seal**

**WINTERS**



1953

Corporate Office: 121 Railside Road • Toronto • ON • M3A 1B2 • (416) 444-2345 • Fax: (416) 444-8979

U.S.A. Office: 600 Ensminger Road • Buffalo • NY • 14150 • (716) 874-8700 • Fax: (716) 874-8800

[www.winters.com](http://www.winters.com) • 1-800-WINTERS (946-8377)



# #70 Diaphragm Seal

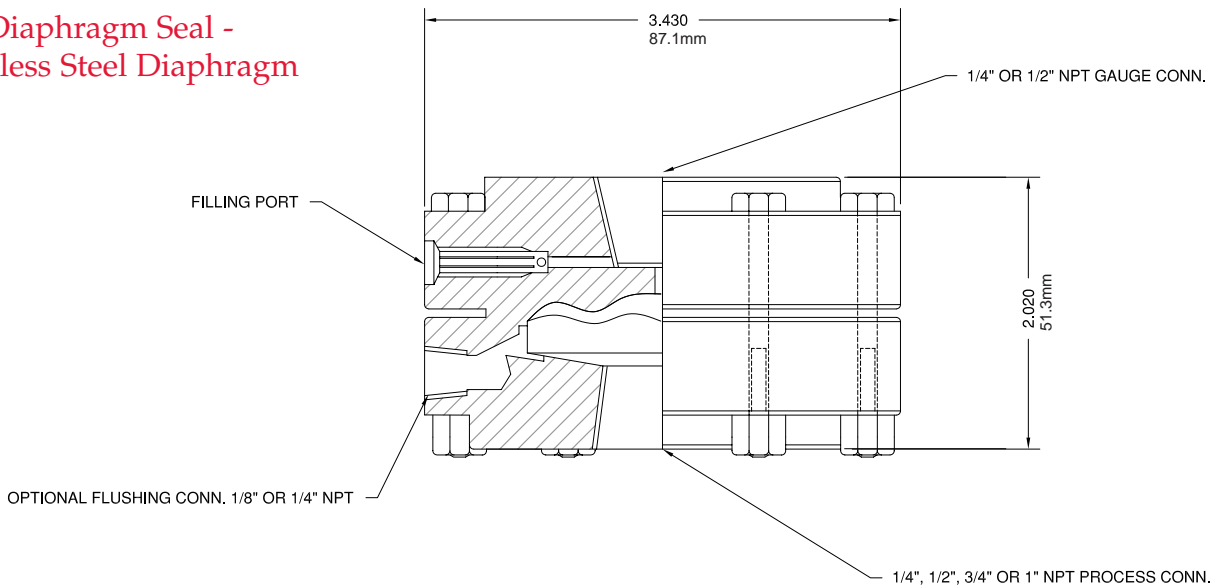
## How To Order: Specify Product Code

Upper Housing (Top)		Lower Housing (Bottom)	
316 St/St, 1/4" NPT conn., 316 St/St diaphragm	D950	316 St/St, 1/4" NPT conn.	D954
316 St/St, 1/4" NPT conn., Monel diaphragm	D950M	316 St/St, 1/2" NPT conn.	D956
316 St/St, 1/4" NPT conn., Hastelloy C diaphragm	D950HASC	316 St/St, 1/2" NPT conn. with flushing	D957
316 St/St, 1/4" NPT conn., Viton diaphragm	D951	316 St/St, 3/4" NPT conn. with flushing	D959
316 St/St, 1/2" NPT conn., 316 St/St diaphragm	D952	316 St/St, 3/4" NPT conn.	D963
316 St/St, 1/2" NPT conn., Monel diaphragm	D952M	316 St/St, 1" NPT conn.	D964
316 St/St, 1/2" NPT conn., Hastelloy C diaphragm	D952HASC	316 St/St, 1" NPT conn. with flushing	D965
316 St/St, 1/2" NPT conn., Viton diaphragm	D953	316 St/St, 1/4" NPT conn., Viton	D954V
		316 St/St, 1/2" NPT conn., Viton	D956V
		316 St/St, 1/2" NPT conn. with flushing, Viton	D957V
		316 St/St, 3/4" NPT conn. with flushing, Viton	D959V
		316 St/St, 3/4" NPT conn., Viton	D963V
		316 St/St, 1" NPT conn., Viton	D964V
		316 St/St, 1" NPT conn. with flushing	D965V
		Monel, 1/4" NPT conn.	D954M
		Monel, 1/2" NPT conn.	D956M
		Monel, 1/2" NPT conn. with flushing	D957M
		Monel, 3/4" NPT conn. with flushing	D959M
		Monel, 3/4" NPT conn.	D963M
		Monel, 1" NPT conn.	D964M
		Monel, 1" NPT conn. with flushing	D965M
		Hastelloy C, 1/4" NPT conn.	D954HASC
		Hastelloy C, 1/2" NPT conn.	D956HASC
		Hastelloy C, 1/2" NPT conn. with flushing	D957HASC
		Hastelloy C, 3/4" NPT conn. with flushing	D959HASC
		Hastelloy C, 3/4" NPT conn.	D963HASC
		Hastelloy C, 1" NPT conn.	D964HASC
		Hastelloy C, 1" NPT conn. with flushing	D965HASC

**Options:** •SF-D = silicone fill (seal only)  
•Teflon Protected Diaphragm

® Viton is registered trademark of Dupont Dow Elastomers

### #70 Diaphragm Seal - Stainless Steel Diaphragm



Corporate Office: 121 Railside Road • Toronto • ON • M3A 1B2 • (416) 444-2345 • Fax: (416) 444-8979

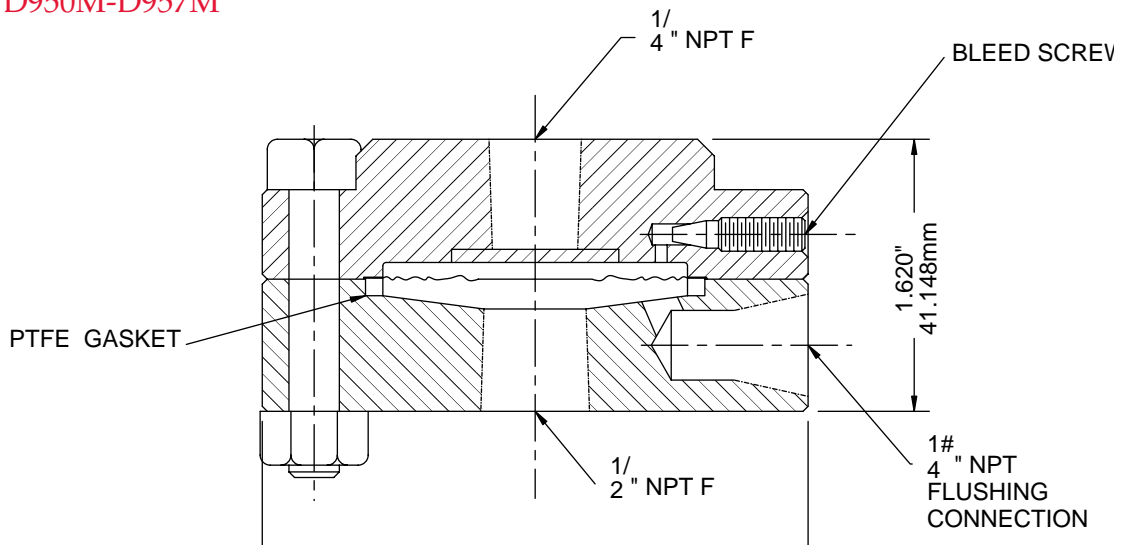
U.S.A. Office: 600 Ensminger Road • Buffalo • NY • 14150 • (716) 874-8700 • Fax: (716) 874-8800

[www.winters.com](http://www.winters.com) • 1-800-WINTERS (946-8377)

# #70 Diaphragm Seal

Specifications (Monel Diaphragm)	
<b>Housing:</b>	AISI 316 stainless steel (upper)
<b>Diaphragm/ Wetted Parts:</b>	Monel welded for ranges 30 psi (200kPa) and above; Viton for ranges from 30" Hg Vacuum (-100 kPa) up to 100 psi (690 kPa)
<b>Minimum Operating Pressure:</b>	30" Hg Vacuum (-100kPa)
<b>Maximum Operating Pressure:</b>	2,500 psi (17,250 kPa)
<b>Gauge Connection:</b>	1/4" NPT, 1/2" NPT are standard
<b>Process Connection:</b>	1/4" NPT, 1/2" NPT, 3/4" NPT and 1" NPT are standard
<b>Flushing Connection:</b>	1/8" NPT, 1/4" NPT available (optional on all #70 seals)
<b>Nuts and Bolts:</b>	St/St/Zinc plated carbon steel
<b>Process Temperature:</b>	-49°F to 302°F (-45°C to 150°C)

#70 Diaphragm Seal - Monel Diaphragm  
Model: D950M-D957M



Corporate Office: 121 Railside Road • Toronto • ON • M3A 1B2 • (416) 444-2345 • Fax: (416) 444-8979

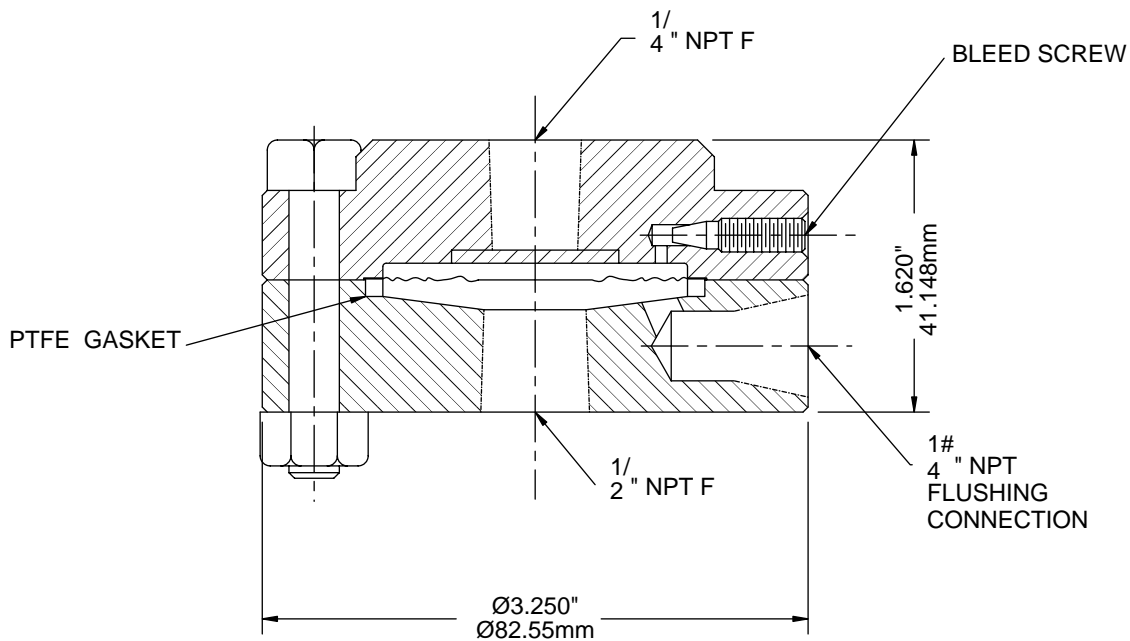
U.S.A. Office: 600 Ensminger Road • Buffalo • NY • 14150 • (716) 874-8700 • Fax: (716) 874-8800

[www.winters.com](http://www.winters.com) • 1-800-WINTERS (946-8377)

# #70 Diaphragm Seal

Specifications (Hastelloy C Diaphragm)	
Housing:	AISI 316 stainless steel (upper)
Diaphragm/ Wetted Parts:	Hastelloy C welded for ranges 30 psi (200kPa) and above; Viton for ranges from 30" Hg Vacuum (-100 kPa) up to 100 psi (690 kPa)
Minimum Operating Pressure:	30" Hg Vacuum (-100kPa)
Maximum Operating Pressure:	2,500 psi (17,236 kPa)
Gauge Connection:	1/4" NPT, 1/2" NPT are standard
Process Connection:	1/4" NPT, 1/2" NPT, 3/4" NPT and 1" NPT are standard
Flushing Connection:	1/8" NPT, 1/4" NPT available (optional on all #70 seals)
Nuts and Bolts:	St/St/Zinc plated carbon steel
Process Temperature:	-49°F to 302°F (-45°C to 150°C)

#70 Diaphragm Seal - Hastelloy C Diaphragm  
Model: D950HASC-D954HASC



Corporate Office: 121 Rainside Road • Toronto • ON • M3A 1B2 • (416) 444-2345 • Fax: (416) 444-8979

U.S.A. Office: 600 Ensminger Road • Buffalo • NY • 14150 • (716) 874-8700 • Fax: (716) 874-8800

[www.winters.com](http://www.winters.com) • 1-800-WINTERS (946-8377)

12/02

# #80 Flanged Diaphragm Seal



CRN

## Description

Winters Instruments Flanged Diaphragm Seal is used in industrial applications such as oil refineries, pulp and paper mills and chemical plants. The flanged diaphragm seal is available in a wide range of materials such as 316 stainless steel, Monel, Hastelloy B & C, Titanium, Tantalum, PVC, Carbon Steel, Teflon and Teflon-lined, 316 stainless steel, and Alloy 20. The diaphragm seals are available in all sizes from 1" (25 mm), 1.5" (40mm) and 2" (50mm) pipe size and #150 and #300 pressure rating standard. (Other configurations available upon request). The flanged diaphragm seal have NPTF available in  $1/4"$ ,  $1/2"$ ,  $3/4"$ , and 1" connections and are also available with flushing. Saddle diaphragms available upon request.

The flanged diaphragm seals feature continuous use and clean out type for easy cleaning and calibrating. Also, the flanged seals are CRN registered.



Corporate Office: 121 Railside Road • Toronto • ON • M3A 1B2 • (416) 444-2345 • Fax: (416) 444-8979

U.S.A. Office: 600 Ensminger Road • Buffalo • NY • 14150 • (716) 874-8700 • Fax: (716) 874-8800

[www.winters.com](http://www.winters.com) • 1-800-WINTERS (946-8377)

# #80 Flanged Diaphragm Seal

## Specifications

<b>Materials:</b>	316 Stainless Steel, Teflon lined 316 Stainless Steel, Monel, Hastelloy C, Tantalum, (Other materials available upon request)
<b>Housing:</b>	Upper housing - Carbon Steel or 316 Stainless Steel - Lower housing wetted parts as indicated
<b>Diaphragm:</b>	316 St/St, Tantalum, Hastelloy C (other material available upon request)
<b>Minimum Operating Pressure:</b>	21" Hg vacuum
<b>Maximum Operating Pressure:</b>	Limited by the pressure rating of the ANSI flange being utilized
<b>Gauge Connection:</b>	1/4" and 1/2" NPT standard
<b>Process Connection:</b>	1", 1.5" & 2" Pipe size
<b>Flushing Connection:</b>	Available upon request
<b>Process Temperature:</b>	Up to 500° F/C

**How to order: Specify product code**

## PRODUCT CODES

Type* Process Conn / Press. Rating	Instrument Connection	Diaphragm Material	Lower Housing Wetted Parts	Carbon Steel	Stainless Steel
				Upper Housing Non-Wetted Parts	Upper Housing Non-Wetted Parts
1" - 150#RF					
Welded Diaphragm	1/2" NPT	316 S/S	316 S/S	D1150SS5CS	D1150SS5SS
Welded Diaphragm	1/2" NPT	Tantalum	Teflon Lined - 316 S/S	D1150UL5CS	D1150UL5SS
Welded Diaphragm	1/2" NPT	Hastelloy C	Monel	D1150HM5CS	D1150HM5SS
Welded Diaphragm	1/2" NPT	Hastelloy C	Hastelloy C	D1150HH5CS	D1150HH5SS
Welded Diaphragm	1/4" NPT	316 S/S	316 S/S	D1150SS25CS	D1150SS25SS
Welded Diaphragm	1/4" NPT	Tantalum	Teflon Lined - 316 S/S	D1150UL25CS	D1150UL25SS
Welded Diaphragm	1/4" NPT	Hastelloy C	Monel	D1150HM25CS	D1150HM25SS
Welded Diaphragm	1/4" NPT	Hastelloy C	Hastelloy C	D1150HH25CS	D1150HH25SS
1" - 300#RF					
Welded Diaphragm	1/2" NPT	316 S/S	316 S/S	D1300SS5CS	D1300SS5SS
Welded Diaphragm	1/2" NPT	Tantalum	Teflon Lined - 316 S/S	D1300UL5CS	D1300UL5SS
Welded Diaphragm	1/2" NPT	Hastelloy C	Monel	D1300HM5CS	D1300HM5SS
Welded Diaphragm	1/2" NPT	Hastelloy C	Hastelloy C	D1300HH5CS	D1300HH5SS
Welded Diaphragm	1/4" NPT	316 S/S	316 S/S	D1300SS25CS	D1300SS25SS
Welded Diaphragm	1/4" NPT	Tantalum	Teflon Lined - 316 S/S	D1300UL25CS	D1300UL25SS
Welded Diaphragm	1/4" NPT	Hastelloy C	Monel	D1300HM25CS	D1300HM25SS
Welded Diaphragm	1/4" NPT	Hastelloy C	Hastelloy C	D1300HH25CS	D1300HH25SS



Corporate Office: 121 Railside Road • Toronto • ON • M3A 1B2 • (416) 444-2345 • Fax: (416) 444-8979

U.S.A. Office: 600 Ensminger Road • Buffalo • NY • 14150 • (716) 874-8700 • Fax: (716) 874-8800

[www.winters.com](http://www.winters.com) • 1-800-WINTERS (946-8377)

# #80 Flanged Diaphragm Seal

Type* Process Conn / Press. Rating	Instrument Connection	Diaphragm Material	Lower Housing Wetted Parts	Carbon Steel	Stainless Steel
				Upper Housing Non-Wetted Parts	Upper Housing Non-Wetted Parts
1.5" - 150#RF					
Welded Diaphragm	1/2" NPT	316 S/S	316 S/S	D15150SS5CS	D15150SS5SS
Welded Diaphragm	1/2" NPT	Tantalum	Teflon Lined - 316 S/S	D15150UL5CS	D15150UL5SS
Welded Diaphragm	1/2" NPT	Hastelloy C	Monel	D15150HM5CS	D15150HM5SS
Welded Diaphragm	1/2" NPT	Hastelloy C	Hastelloy C	D15150HH5CS	D15150HH5SS
Welded Diaphragm	1/4" NPT	316 S/S	316 S/S	D15150SS25CS	D15150SS25SS
Welded Diaphragm	1/4" NPT	Tantalum	Teflon Lined - 316 S/S	D15150UL25CS	D15150UL25SS
Welded Diaphragm	1/4" NPT	Hastelloy C	Monel	D15150HM25CS	D15150HM25SS
Welded Diaphragm	1/4" NPT	Hastelloy C	Hastelloy C	D15150HH25CS	D15150HH25SS
1.5" - 300#RF					
Welded Diaphragm	1/2" NPT	316 S/S	316 S/S	D15300SS5CS	D15300SS5SS
Welded Diaphragm	1/2" NPT	Tantalum	Teflon Lined - 316 S/S	D15300UL5CS	D15300UL5SS
Welded Diaphragm	1/2" NPT	Hastelloy C	Monel	D15300HM5CS	D15300HM5SS
Welded Diaphragm	1/2" NPT	Hastelloy C	Hastelloy C	D15300HH5CS	D15300HH5SS
Welded Diaphragm	1/4" NPT	316 S/S	316 S/S	D15300SS25CS	D15300SS25SS
Welded Diaphragm	1/4" NPT	Tantalum	Teflon Lined - 316 S/S	D15300UL25CS	D15300UL25SS
Welded Diaphragm	1/4" NPT	Hastelloy C	Monel	D15300HM25CS	D15300HM25SS
Welded Diaphragm	1/4" NPT	Hastelloy C	Hastelloy C	D15300HH25CS	D15300HH25SS
Type* Process Conn / Press. Rating	Instrument Connection	Diaphragm Material	Lower Housing Wetted Parts	Carbon Steel	Stainless Steel
				Upper Housing Non-Wetted Parts	Upper Housing Non-Wetted Parts
2" - 150#RF					
Welded Diaphragm	1/2" NPT	316 S/S	316 S/S	D2150SS5CS	D2150SS5SS
Welded Diaphragm	1/2" NPT	Tantalum	Teflon Lined - 316 S/S	D2150UL5CS	D2150UL5SS
Welded Diaphragm	1/2" NPT	Hastelloy C	Monel	D2150HM5CS	D2150HM5SS
Welded Diaphragm	1/2" NPT	Hastelloy C	Hastelloy C	D2150HH5CS	D2150HH5SS
Welded Diaphragm	1/4" NPT	316 S/S	316 S/S	D2150SS25CS	D2150SS25SS
Welded Diaphragm	1/4" NPT	Tantalum	Teflon Lined - 316 S/S	D2150UL25CS	D2150UL25SS
Welded Diaphragm	1/4" NPT	Hastelloy C	Monel	D2150HM25CS	D2150HM25SS
Welded Diaphragm	1/4" NPT	Hastelloy C	Hastelloy C	D2150HH25CS	D2150HH25SS
2" - 300#RF					
Welded Diaphragm	1/2" NPT	316 S/S	316 S/S	D2300SS5CS	D2300SS5SS
Welded Diaphragm	1/2" NPT	Tantalum	Teflon Lined - 316 S/S	D2300UL5CS	D2300UL5SS
Welded Diaphragm	1/2" NPT	Hastelloy C	Monel	D2300HM5CS	D2300HM5SS
Welded Diaphragm	1/2" NPT	Hastelloy C	Hastelloy C	D2300HH5CS	D2300HH5SS
Welded Diaphragm	1/4" NPT	316 S/S	316 S/S	D2300SS25CS	D2300SS25SS
Welded Diaphragm	1/4" NPT	Tantalum	Teflon Lined - 316 S/S	D2300UL25CS	D2300UL25SS
Welded Diaphragm	1/4" NPT	Hastelloy C	Monel	D2300HM25CS	D2300HM25SS
Welded Diaphragm	1/4" NPT	Hastelloy C	Hastelloy C	D2300HH25CS	D2300HH25SS

\*Replaceable and Teflon Diaphragms available • Other materials, pipe size and pressure ratings available upon request



Corporate Office: 121 Railside Road • Toronto • ON • M3A 1B2 • (416) 444-2345 • Fax: (416) 444-8979

U.S.A. Office: 600 Ensminger Road • Buffalo • NY • 14150 • (716) 874-8700 • Fax: (716) 874-8800

[www.winters.com](http://www.winters.com) • 1-800-WINTERS (946-8377)



# #80 Flanged Diaphragm Seal

## #80 Flanged Diaphragm Seal

All Winters Flanged Diaphragm seals are continuous type for safety. This feature is critical especially when a diaphragm seal is utilized in a hazardous location. With the flange seal construction, the diaphragm seal will aid in containing the process media should the pressure instrument be accidentally broken or removed. This is very important, should the process media be either a corrosive or a harmful gas. With continuous use diaphragm seals, you decide when is a convenient time to shut down the process line and replace the damaged pressure instrument.

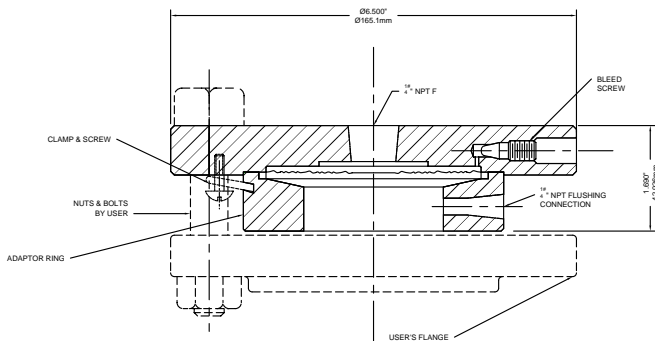
Also, the flanged diaphragm seals are clean out types meaning the bolts can be removed and separated at the flanges for cleaning, liquid filling, calibrating and welding, etc without the loss of liquid fill fluid.

All Winters Flanged Diaphragm seals are welded at its periphery to the instrument flange in order to retain the liquid fill fluid and reduce the risk of leakage.

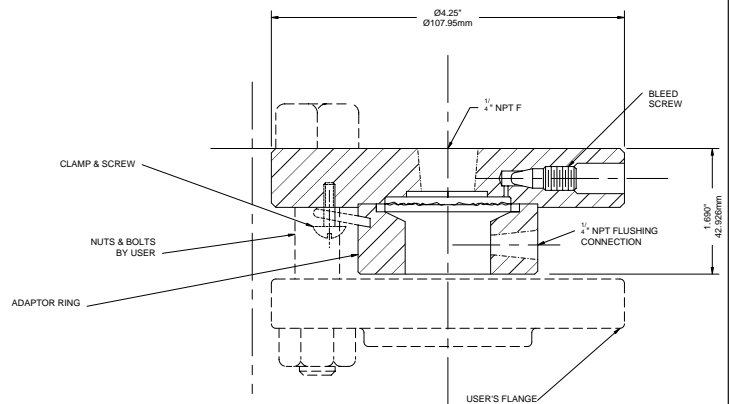
## Unique Features

- Addition of spoke corrugations to the radial corrugations. The spoke corrugations reduce hoop stress in the metal thus enabling the metal diaphragm to flex more readily and allow more displacement of the liquid fill fluid (i.e. the diaphragm seal is more sensitive)
- O-ring gasket of the diaphragm insures minimal possibility of leakage of the liquid fill fluid when properly installed, operated and maintained
- Flange is recessed for gasket, so the gasket cannot be damaged
- A self energized gasket is utilized to pressure load the process gasket surface; the greater the process pressure, the greater the sealing pressure
- Due to high pressure, flanges may separate slightly from stretch of bolts; the process flange gasket pressure on sealing surfaces remains constant thus preventing leakage

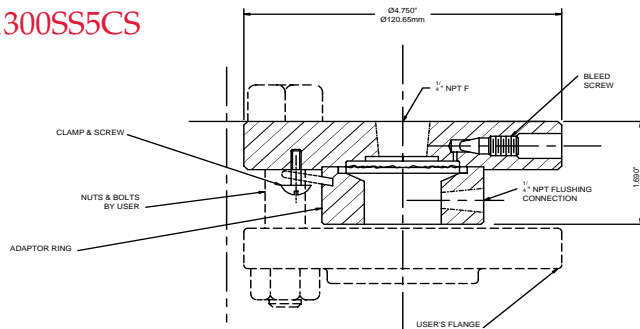
Model Number: D2300SS5CS



Model Number: D1150SS5CS



Model Number: D1300SS5CS



Corporate Office: 121 Railside Road • Toronto • ON • M3A 1B2 • (416) 444-2345 • Fax: (416) 444-8979

U.S.A. Office: 600 Ensminger Road • Buffalo • NY • 14150 • (716) 874-8700 • Fax: (716) 874-8800

[www.winters.com](http://www.winters.com) • 1-800-WINTERS (946-8377)